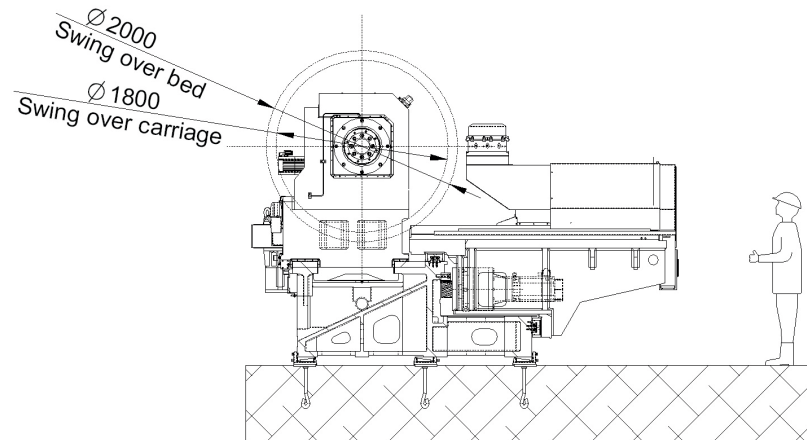
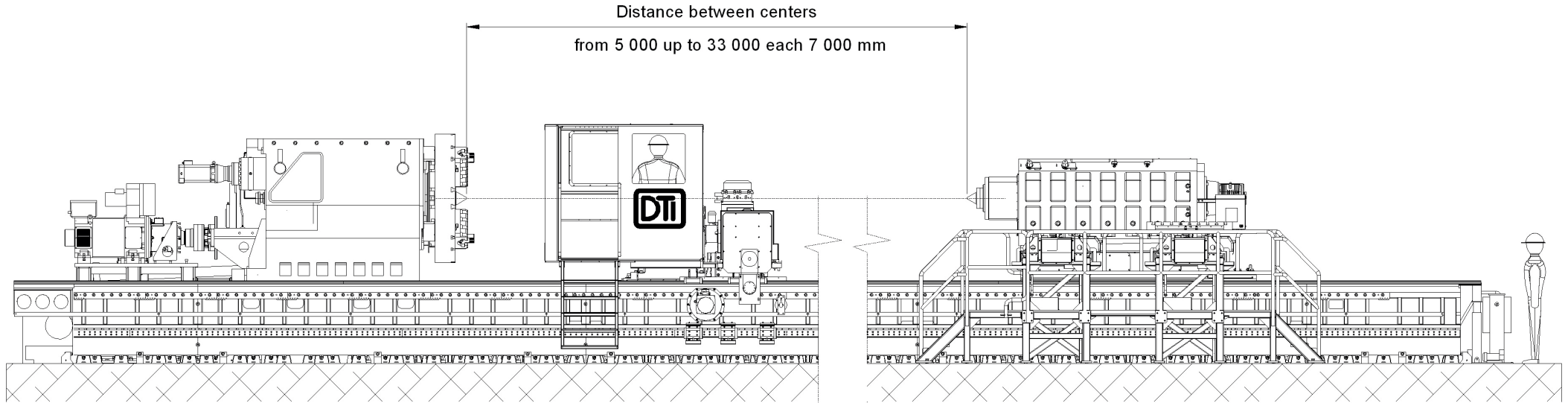


- TMC -



Technical Parameters	TMC 100	TMC 127	TMC 160	TMC 180
Max. swing over bed	Ø2000mm			
Max. turning diameter	Ø1000mm	Ø1270mm	Ø1600mm	Ø1800mm
Distance between centers	5 000 to 33 000 each 7 000 mm			
Power	up to 220 kW			
Spindle speed	up to 250 RPM			
Max. weight of work piece	25 tons			