



Manufacturer

Litz Hitech Corp.

No.18, Yu 9 Road, Yu-Shih Industrial Park,
Tachia District, Taichung City, Taiwan
TEL: +886-4-26815711
FAX: +886-4-26815108
E-mail: sales@litzhitech.com
<http://www.litzhitech.com>



Litz Machine Tools (JiaXing) Corp.

No.1398 Hefeng Road, Jiaxing, Zhejiang
TEL: +86-573-82222735
FAX: +86-573-82222739
E-mail: sales.jl@litzhitech.com
<http://www.litzchina.cn>

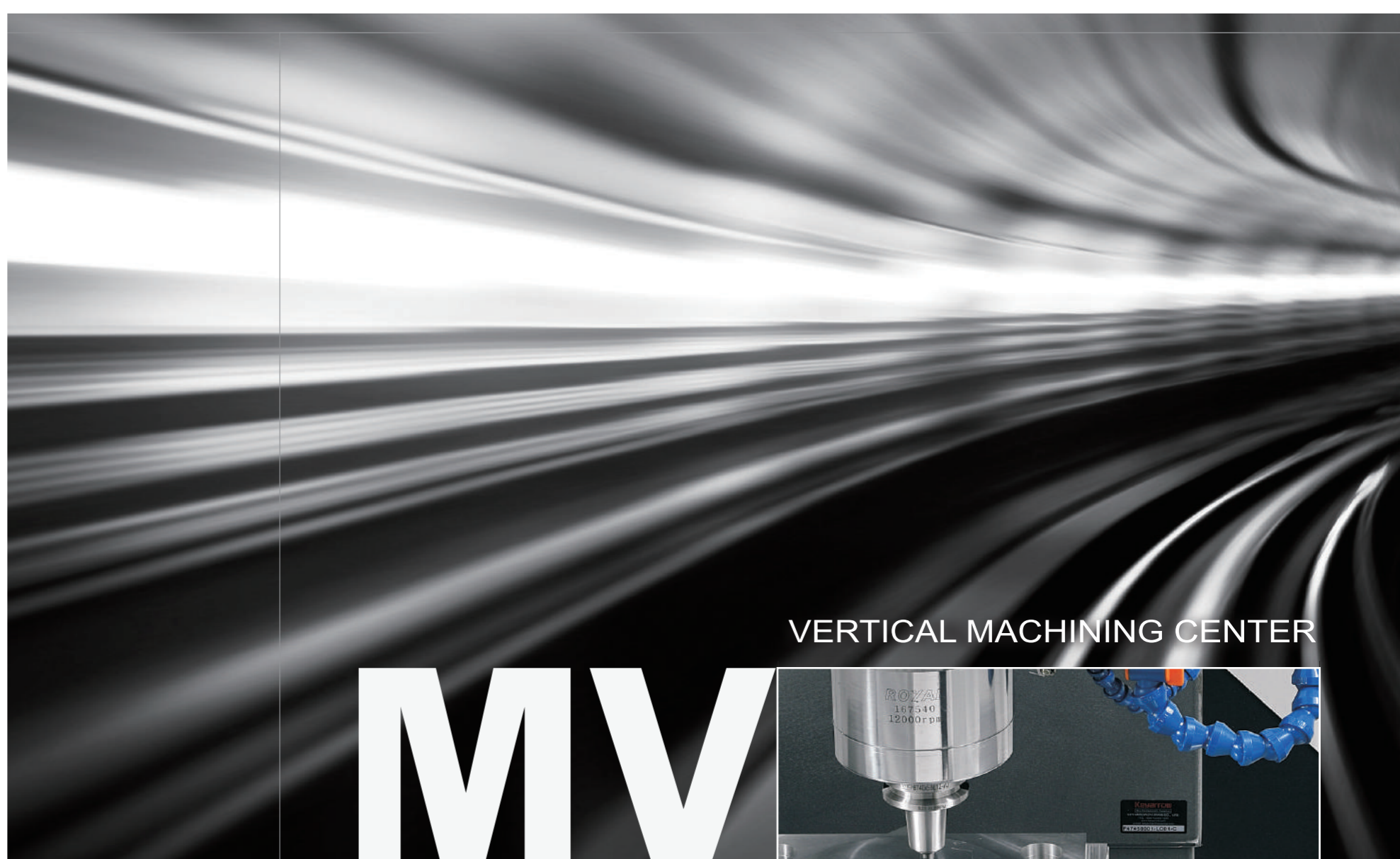


Welcome to Litz website for more information

Dealer



2019.A



VERTICAL MACHINING CENTER



MV-800/1000/1200
VERTICAL MACHINING CENTER



Litz Hitech Corp. | Litz Machine Tools (JiaXing) Corp.

PAGE	
1	Cover Page
2-3	INDEX/CONTENTS
New Generation Machining Center	
4	New Generation Machining Center
5	Transmission System
6	Structure
7	Linear guideway
8	Oil/Coolant Separator, Spindle coolant Cooling
9	Spindle Unit
10	Spindle Specification and Performance
11	Tool Changing System -ATC
Chip Removal System	
12	Highly Efficient Chip Removal Mechanism
	Control System
13	Controller
14-15	Meet Customer Requirements
Operation	
16-17	User-friendly, Accessibility, Maintainability
18	Convenience
19	High Performance Configuration
20	Cooling System
21	Safety Door
Machine Precision	
22	Machine Equipped Measuring Devices
23	Advanced Inspection Equipment and Technology
24	Machining Performance
Production and Wor	
25	Workshop Environment and Floor Area
Equipment Specification	
26	Outline Dimensions
27	Worktable Dimensions
28	Machine Specifications
29	Equipment List
Business and Service Locations	
30-32	Business and Service Locations

Production Site



Taiwan LITZ Production Site



Taiwan LITZ Production Site



JiaXing LITZ Production Site



JiaXing LITZ Production Site

ATC System



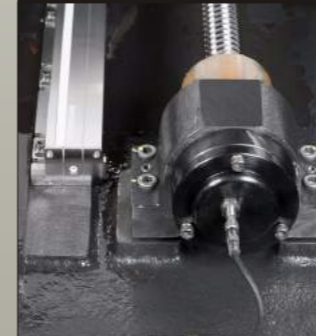
Measurement System



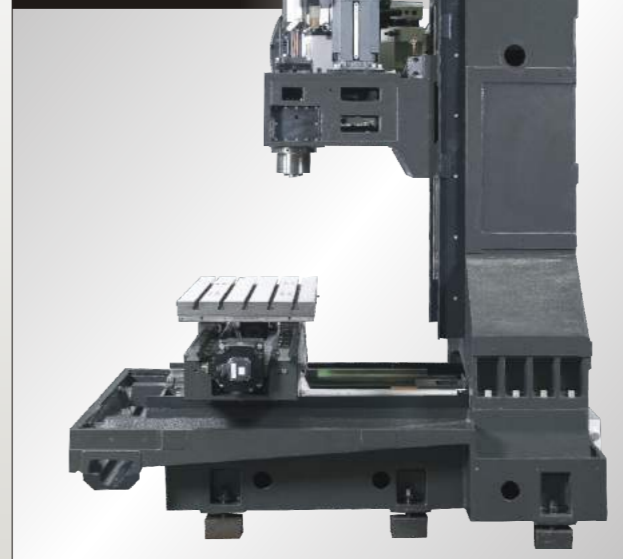
Maintenance



Transmission System



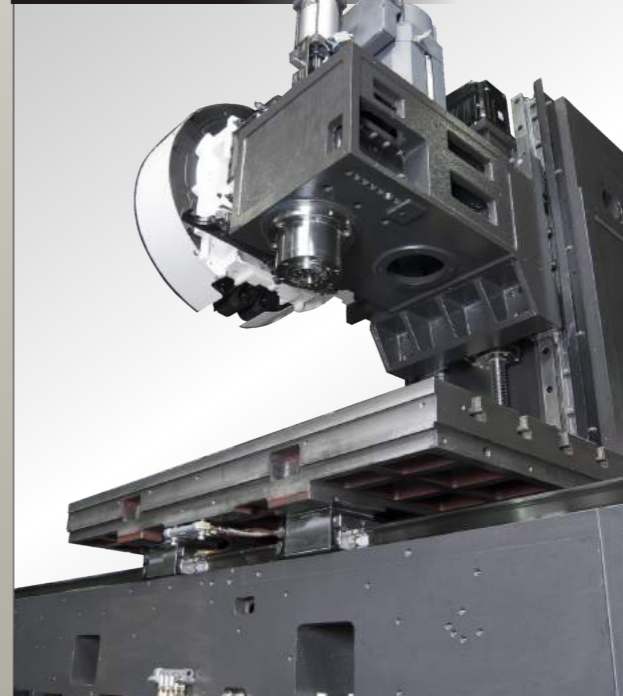
Structure 1



Controller System



Structure 2



Spindle System



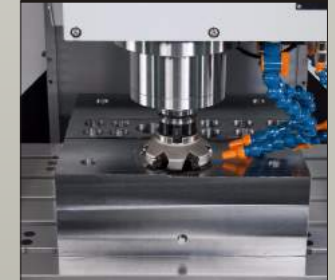
3-axes linear scale



4th axis



Machining Application



Chip Removal System



MV-800 1000 1200-4



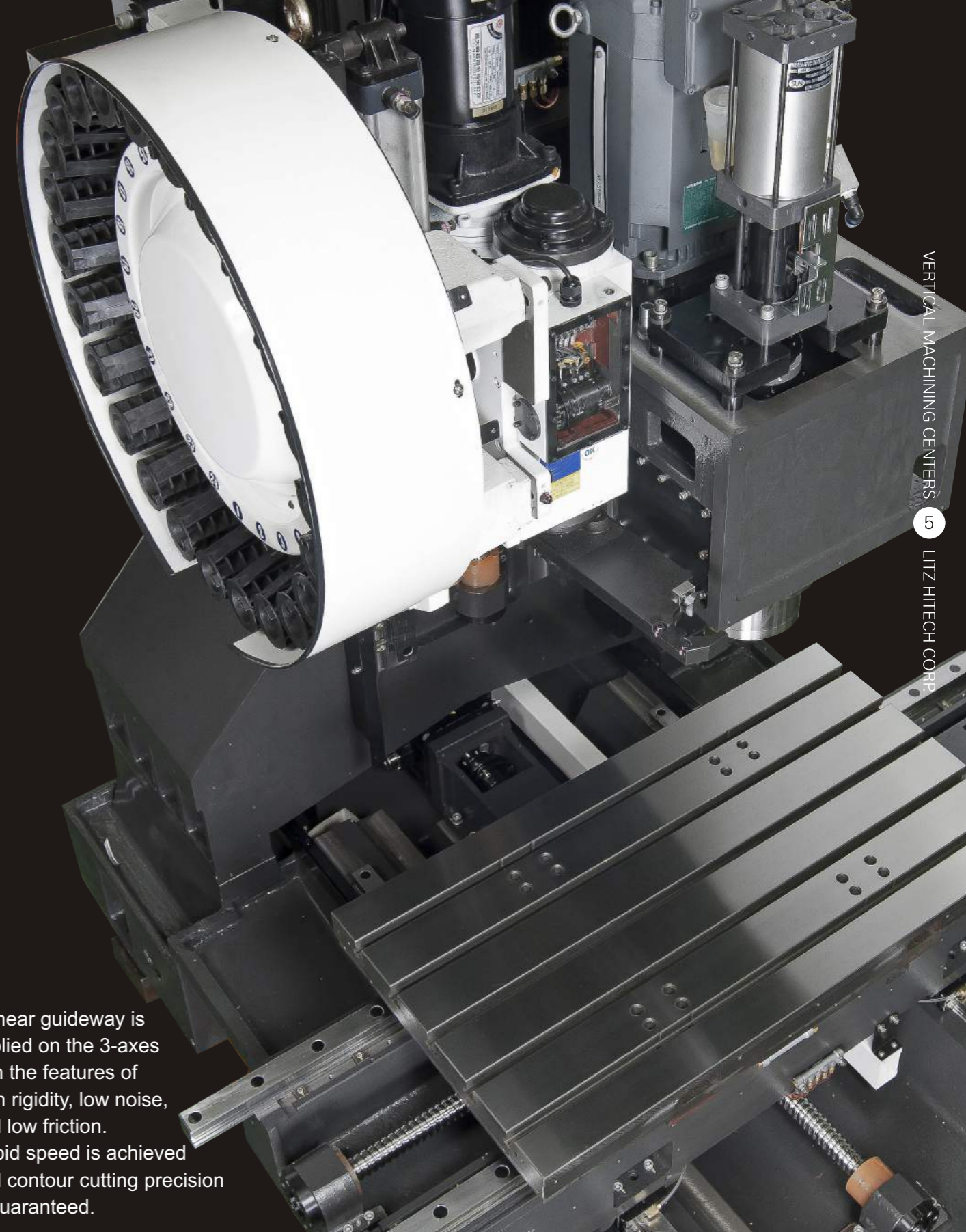
Focus creates professionalism.

For our best-selling MV series, LITZ has further improved the structural design of the machines, to maximize the dependability of machining centers.



VERTICAL MACHINING CENTERS 4 LITZ HITECH CORP.

High Performance Transmission System MV-800 1000 1200-5

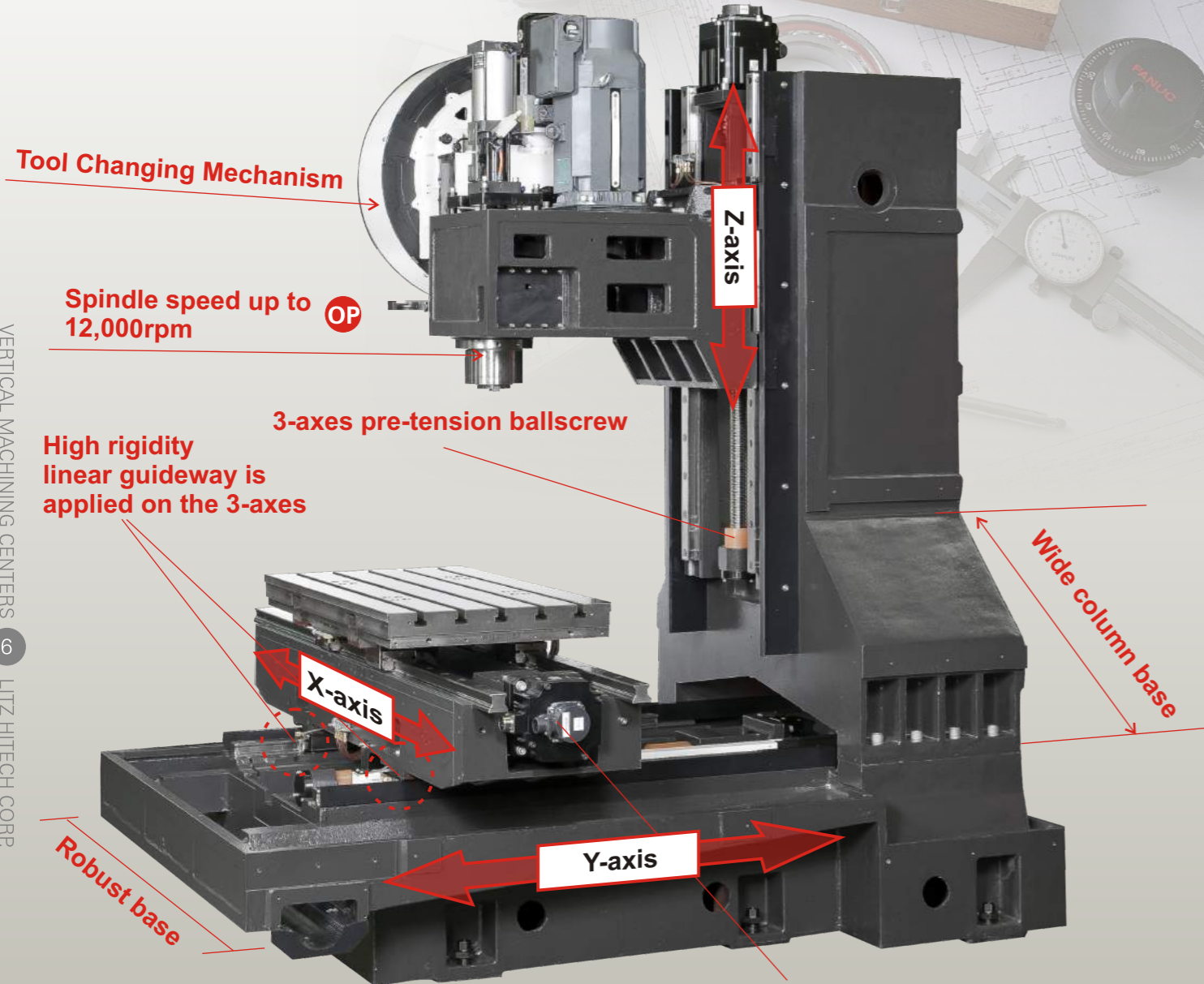


■ A linear guideway is applied on the 3-axes with the features of high rigidity, low noise, and low friction. Rapid speed is achieved and contour cutting precision is guaranteed.

VERTICAL MACHINING CENTERS 5 LITZ HITECH CORP.



High Rigidity and High Precision Structure Design



The motor is directly coupled on the 3-axes

(MV - 1200A)

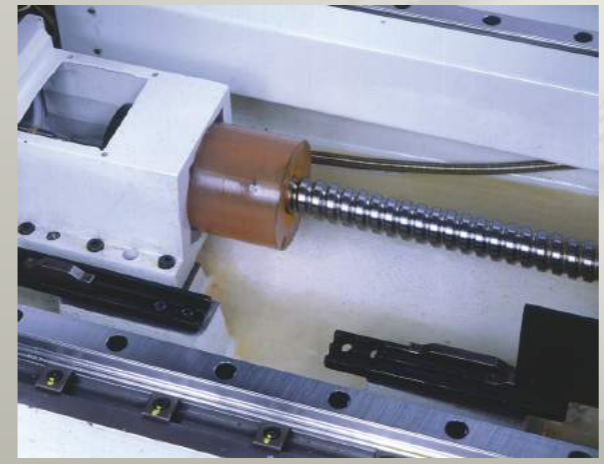
- The major construction parts are based on Meehanite cast iron, which is stable in structure and long-term quality is assured.
- Casting parts are calculated and analyzed by the finite element method. Proper structure strength combined with enhanced ribs provides high rigidity for the machine.
- A linear guideway is applied on the 3-axes, supporting heavy loads, rapid moving, and assuring precise positioning.
- A wide base, box-shaped column, enhanced saddle, full span supports for heavy loads, and robust structure all contribute to its ability for heavy duty machining.
- Enhanced ribs inside the spindle head and a proper contact length ratio between the spindle head and column provide solid support for the spindle.

Linear Guideway with High Speed and High Precision



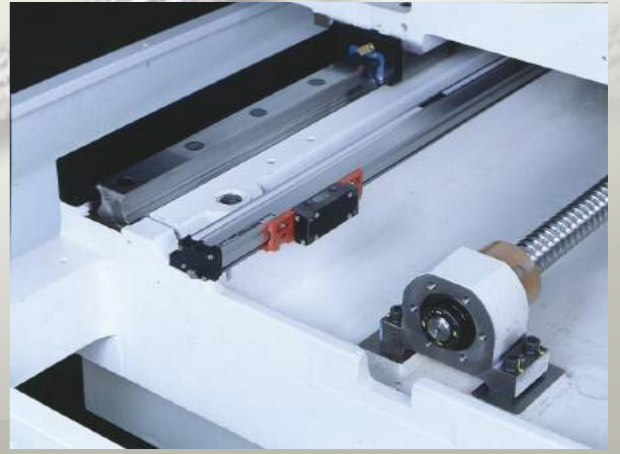
- A linear guideway with zero backlash ensures a consistent cutting surface on curved or tilted surfaces.
- Suitable for high speed operation and the horsepower requirement is minimized.
- By using rolling contact instead of sliding contact, the linear guide reduces the friction loss and increases the sensitivity and positioning precision.
- Capable of taking loads from all directions simultaneously. Multiple point contacts of the rail contact surface under loads, the cutting rigidity will not be compromised.
- Easy to assemble with interoperability. The lubrication mechanism is simple.
- Tiny wear and tear of linear guideways, long service time.

Collision Protection Device



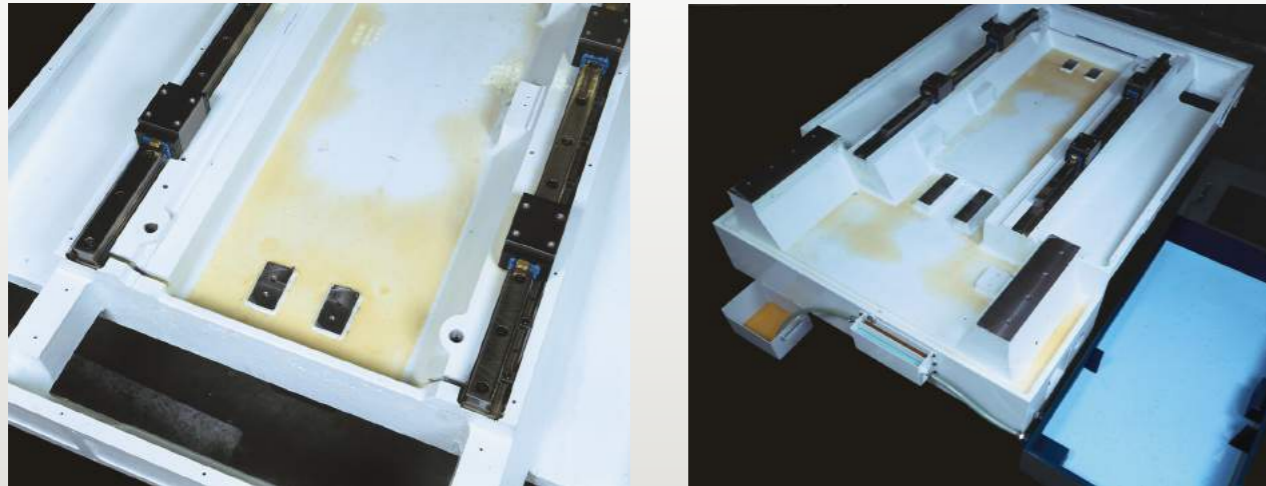
- The machine is equipped with a collision protection device which can absorb collisions due to machine malfunctions or mistakes made by operators. The damage caused by the collision can be minimized and still maintain the design precision.

High Precision Linear Scale OP



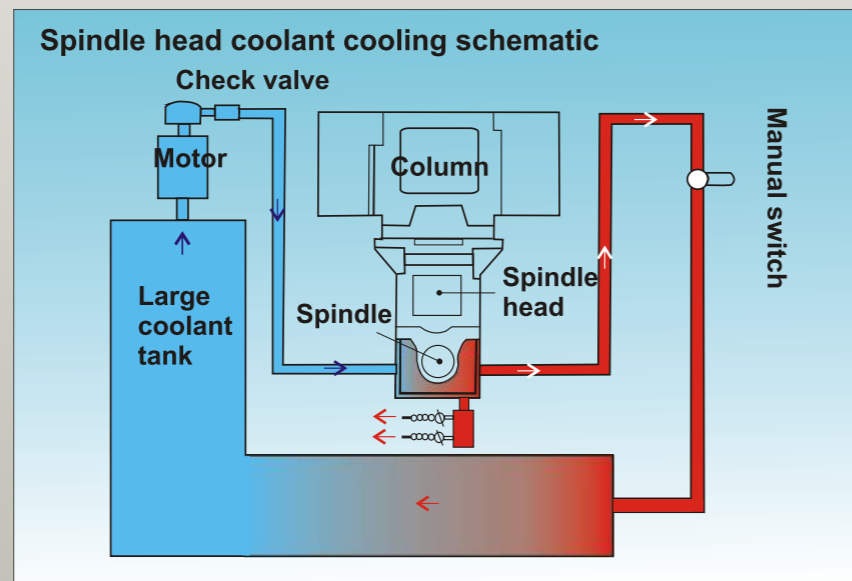
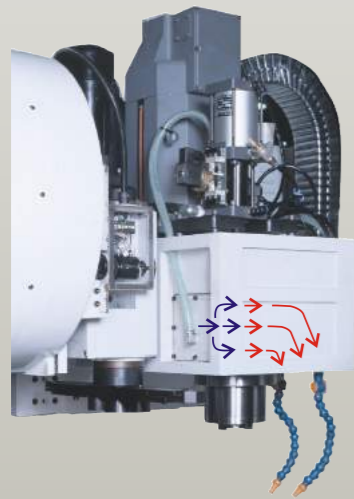
- The X/Y/Z-axis can be equipped with a linear scale system to detect thermal displacement due to rapid movement of the machine. The thermal displacement result will be sent to the controller for compensation, suitable for high precision parts machining.
- The linear scale system is designed with a gas protection device to prevent the linear scale from contamination by dust and oil vapor. The precision of the linear scale is assured and the service time can be extended.

Oil/Coolant Separating Design

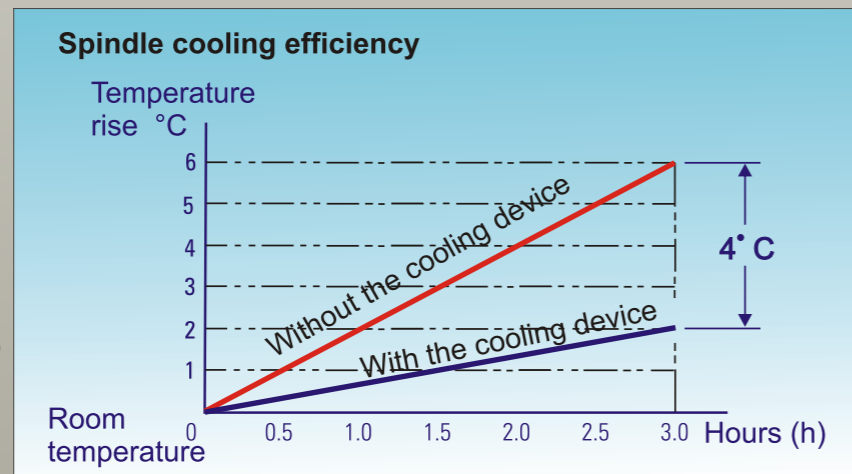


- The oil/coolant separating design can separate lubricating oil and coolant effectively. Coolant quality will not be reduced due to mixing and the machining quality can be assured.

Spindle head and spindle coolant cooling system - completely eliminate the thermal displacement of the Z-axis



- The unique and cost-effective spindle head cooling system will remove the heat generated by high speed operation of the spindle, eliminating the thermal displacement of the spindle head.
- The system can achieve excellent cooling performance without the need of an additional pump, filter, or hydraulic oil.
- Reducing the heat generated by the high speed operation of the spindle, ensuring spindle precision, and extending the service time of the spindle.
- In case of dry cutting, the system is designed with loops to maintain the cooling efficiency.



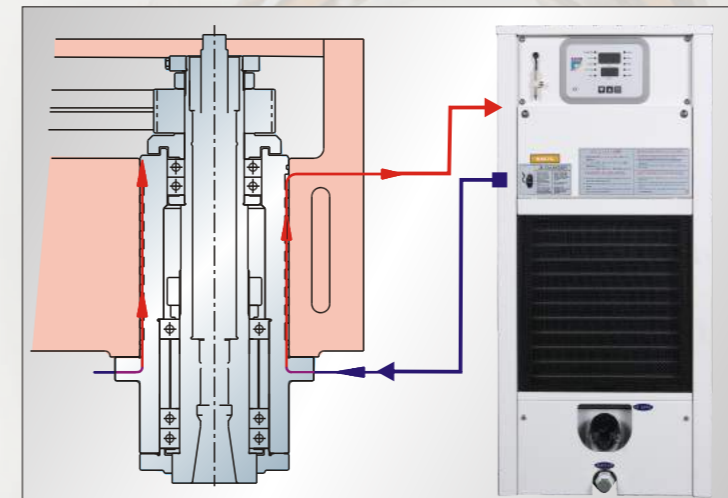
High Speed High Precision Spindle Unit

Spindle Unit



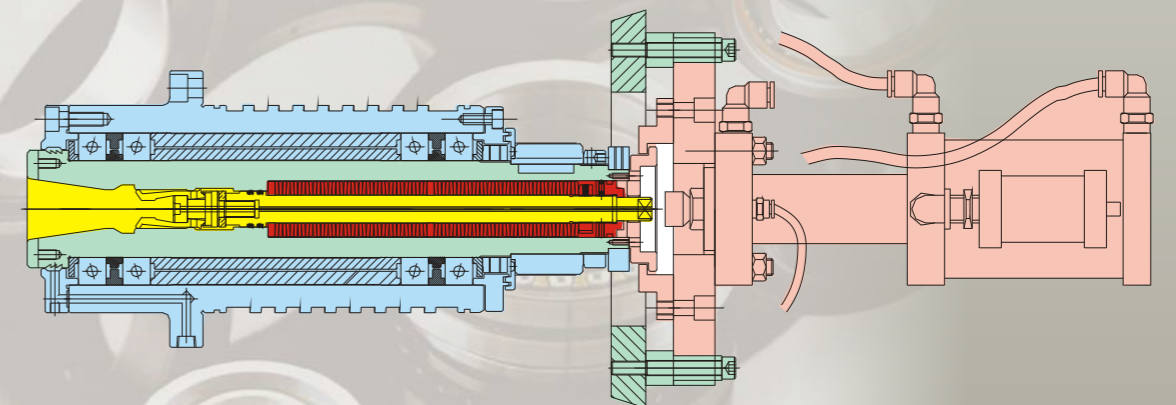
- The spindle uses an angular contact ball bearing with high speed and high precision.
- The four jaw collet provides strong tool holding force, large contact area, low wear on the tool shank, and long service time.
- A high horsepower spindle motor is used for standard machines, suitable for high speed and heavy cutting.
- The spindle is driven by a high torque timing belt, there is no slipping, and the noise and heat generated during transmission are significantly reduced.
- Online spindle dynamic balancing is achieved through an IRD dynamic balancing system, eliminating the resonance caused by a high speed rotating spindle and assuring optimized machining precision.

Spindle oil cooling system OP



- The high speed rotating spindle with a spindle oil temperature control system can maintain the spindle at constant temperature and control the thermal displacement of the spindle effectively, to assure the high speed and precision of the spindle.

Floating Unclamping Tool Mechanism (MV-1200A)



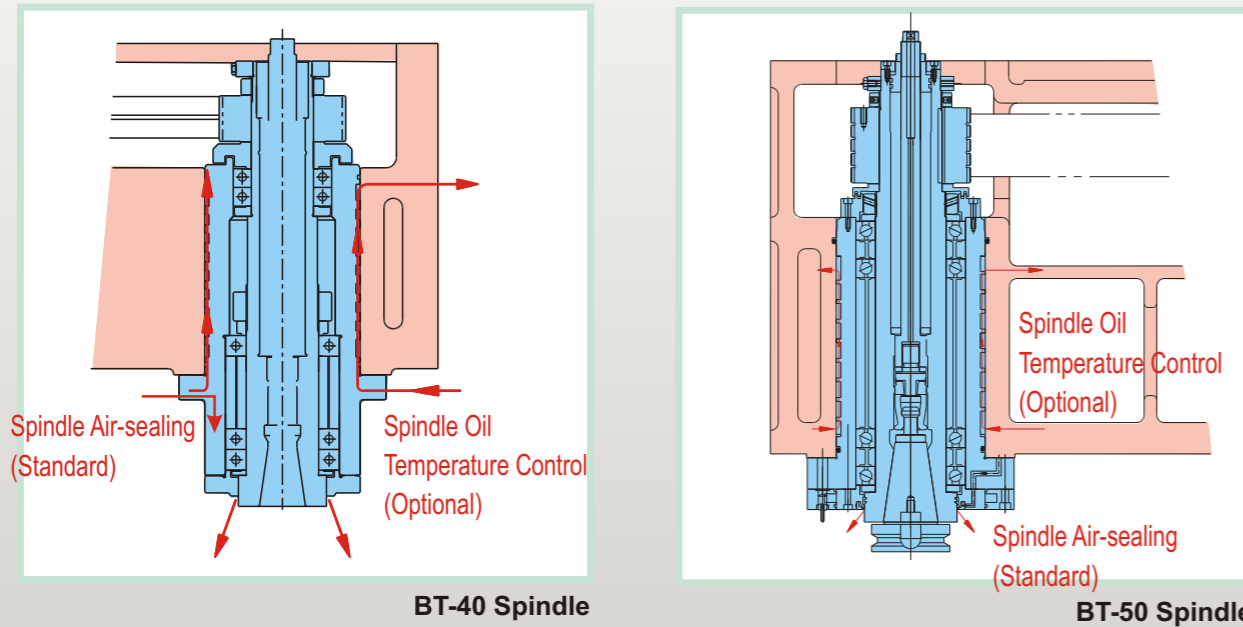
- A floating tool unclamping mechanism is applied and the force generated by tool releasing will not be transmitted to the spindle bearing. Thus the life of the spindle bearing is extended.

Spindle Specification and Performance

MV-800 1000 1200-10

Stable and Reliable ATC

Spindle Dust-proof Air-sealing System



■ The spindle air-sealing system can control the high-speed of the spindle to generate vacuum and suck up dust, which assures the precision of the spindle and thus extends the service life of the spindle.

Spindle Pull Force



■ The high tensile spindle provides high rigidity for tool clamping and enhances the cutting rigidity.

Arm-type Tool Changing Mechanism



- A fast, simple, reliable, and durable tool exchange device, providing stable and reliable exchange of tools.
- A unique tool exchange device design, an advanced cam-drive mechanism capable of random tool selection can be achieved using the PLC software control.

Arm-type Tool Changing Mechanism

Tool Magazine Unit



- The tool changer mechanism has been subject to a million times of operating tests to satisfy the requirements of high reliability.
- The rapid tool changer mechanism saves non-cutting time, and therefore increases production efficiency.
- The cam drive mechanism of the magazine ensures precise rotation and smooth operation of the magazine, even for heavy tools.
- Tool magazines with 24 stations and 32 stations are available for selection.

Tool Magazine stations: 24 tools

Highly Efficient Chip Removal Mechanism

- Resolving the chip removal problem of vertical machining

Screw-type chip removal system (standard)

- Fully enclosed sheet metal for the machining area prevents dust and oil mist from spreading into the workshop and reducing the air quality.
- Simple and efficiently design of the chip removal mechanism is applied. Chips are transported by a large amount of cutting coolant from the chip cleaning device to the screw type chip auger located on the front of the machine. The screw-type chip auger will transport the chips to the chip cart located on the left side of the machine. The Operator can clean up the chips easily and simply.

Fully covered enclosure with sheet metal against chips

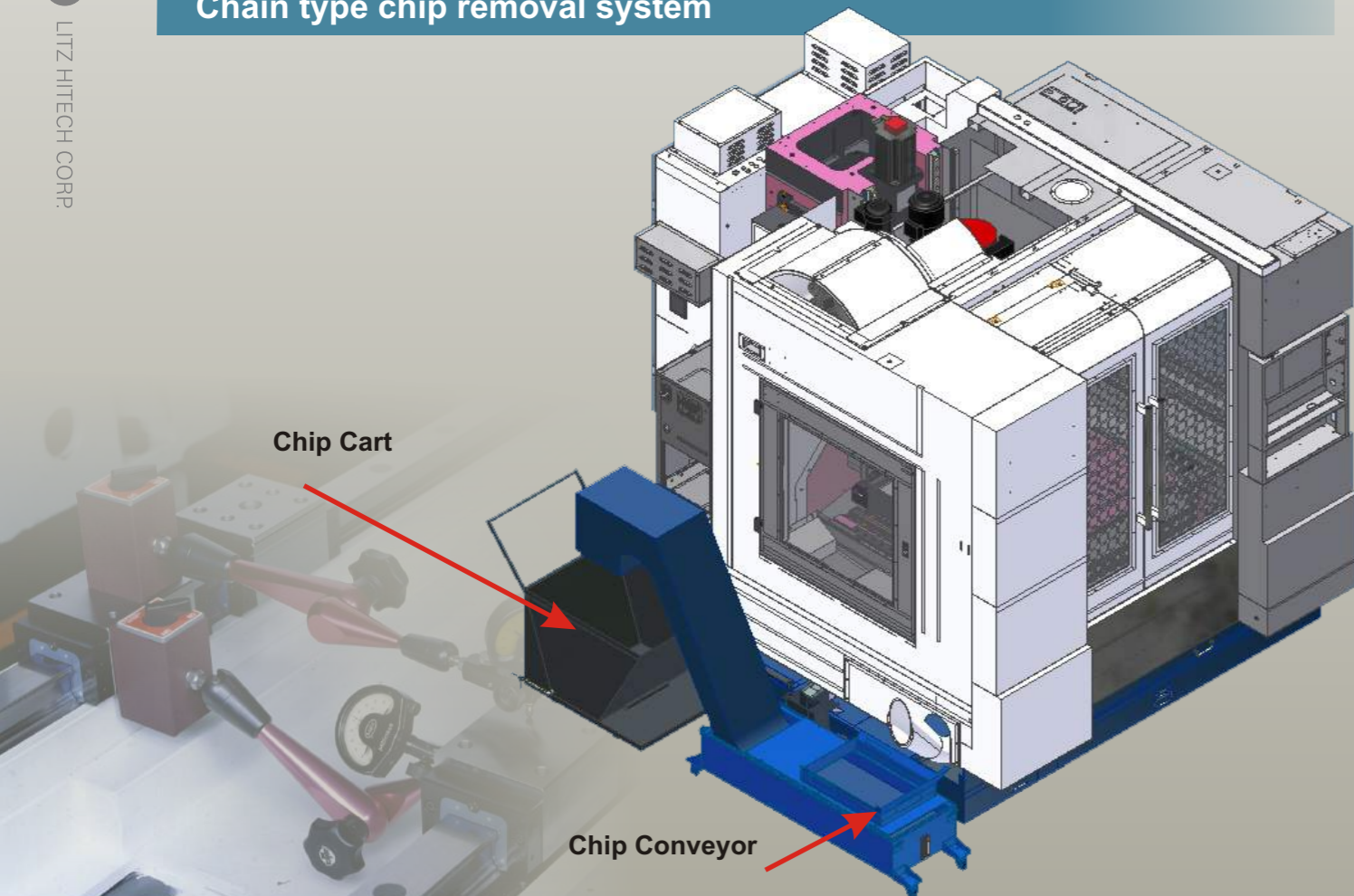
Fully closed sheet metal enclosure (standard)

Z-axis telescopic enclosure (standard)



X/Y-axis telescopic enclosure (standard)

Chain type chip removal system



Chip Cart

Chip Conveyor

Advanced Control System

FANUC (Japan) Controller Series



CNC FANUC Series 0i-MF with Outstanding Reliability and Cost Performance

○:Basic ☆:Option -:Not available

	Model			
	1	2	3	5
Max. number of axes controlled	11	9	6	6
Max. number of paths controlled	2	1	1	1
Display	15/10.4/8.4	10.4/8.4	10.4/8.4	10.4/8.4
Max. cutting feed speed for 1mm-long path program: 60m/min, Max. number of preview blocks: 400	☆	-	-	-
Separated Control Unit	☆	-	-	-
Working network	☆	☆	-	-
High quality machining software packages	☆	☆	☆	-
Large capacity program operation (copy to CF card from USB/ethernet)	○	○	○	○
Preparation and supports before machining	○	○	○	○
Multi-language (Vietnamese, Indonesian, Tamil)	○	○	○	○

Mitsubishi Controller Series

High end controller from Mitsubishi achieves higher productivity and comfort



CNC M800/M80 Series

CNC dedicated CPU

Fine segment processing capacity
High capability in program processing enables a shorter cycle time .

PLC process capability (PCMIX value)
High processing capability of the PLC enables large-scale ladder logic to be processed at high speed.

NC-to-drive communication capability
Optical communication speed between NC and drive has been increased. This improves the system responsiveness, leading to more accurate machining.

MV-800 1000 1200-14

MV-800 1000 1200-15

LITZ
MV1200

LITZ



VERTICAL MACHINING CENTERS 14 LITZ HI TECH CORP.

VERTICAL MACHINING CENTERS 15 LITZ HI TECH CORP.

- High efficiency**
- Durability**
- Cost-effective**

Fully Meets

Customer Requirements



Extra-wide front door



Wide door opening distance

- Extra-wide door, easy for loading/unloading the parts or jigs to/from the machine.

Extra-large side window



- Wide windows on both sides of the machine, easy for installation and cleaning.

Light inside the machine



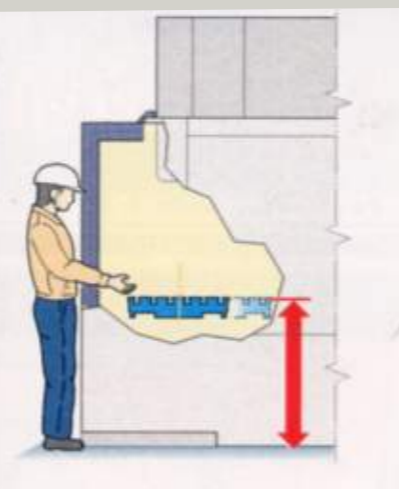
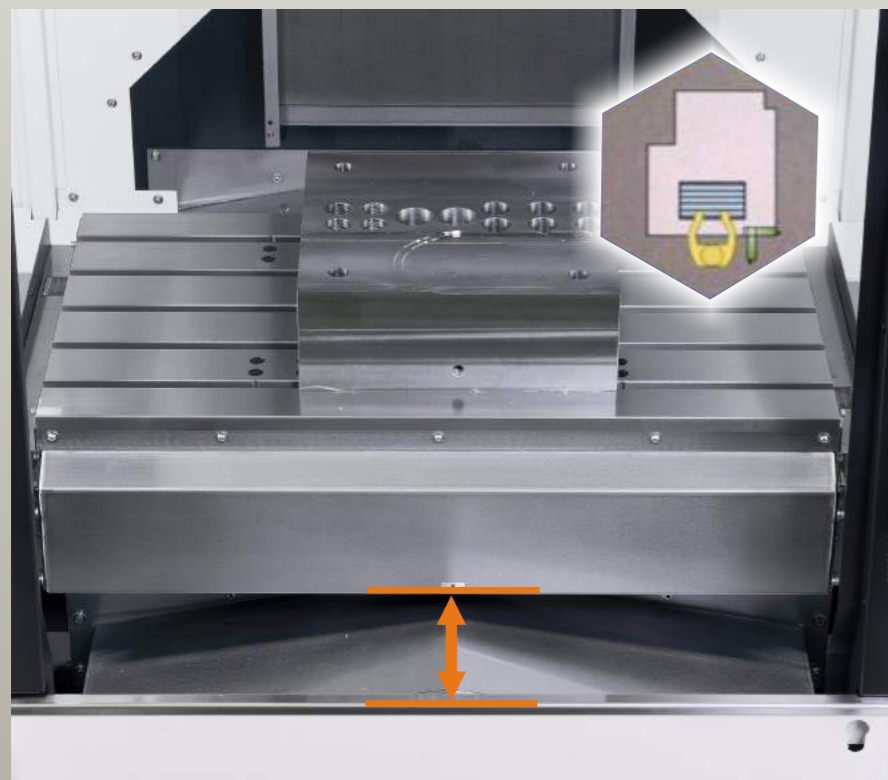
- Bright in the working area and tip of the tool.
- 2 high brightness fluorescent lamps are equipped inside the machine.

Convenient storage compartment



- A compartment is located under the operation cabinet to store items such as calculators, keys and pens. Very convenient.
- A hook is installed on the front edge of the storage compartment to place tools such as air guns and pliers.

Worktable Accessibility

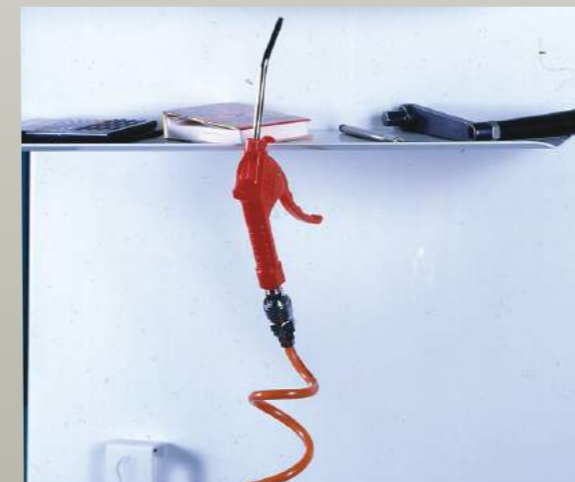


- Ergonomic design for easy loading/unloading of workpieces to/from the worktable.

Easy access to the worktable

- Short distance between the operator and worktable, easy for operation inside the machine.
- Shortens the distance between the front of the machine and the worktable.

Easy-to-use Air Gun



- A tube from the air compressing system is installed on the right-front of the machine with quick couplings for a compressed air tube and air gun.
- Operators can use the air gun to clean the residual chips on jigs or workpieces, simple and easy.

Coolant gun for machine cleaning



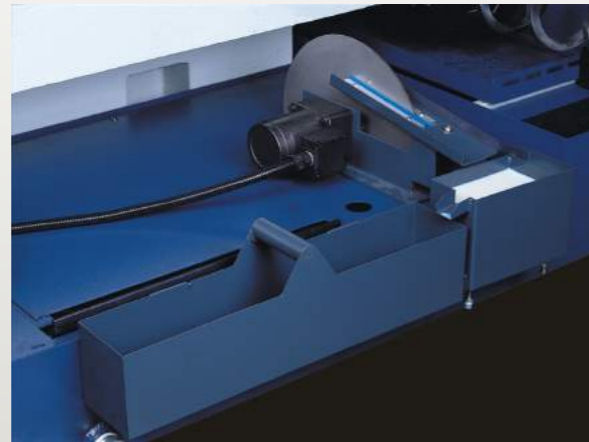
- The Coolant gun for machine cleaning can remove the residual chips attached to the machine, keep the cleanness of the machine and facilitate the maintenance works.

Convenient document clip and stationery drawer



- Document folder and notepads are attached on the side of the operation cabinet. Operators can put the work order or important data on the folder.
- The stationery drawer is located on the back of the document folder. Operators can put the stationery, discs, or IC card inside for easy management.

Disc type oil/coolant separator **OP**



- The disc-type oil/coolant separator can be attached easily without taking up space. The disc-type oil/coolant separator can separate the oil from coolant tank effectively, to assure the coolant quality, extend the life of the coolant, and guarantee the machining quality.

Convenient service access



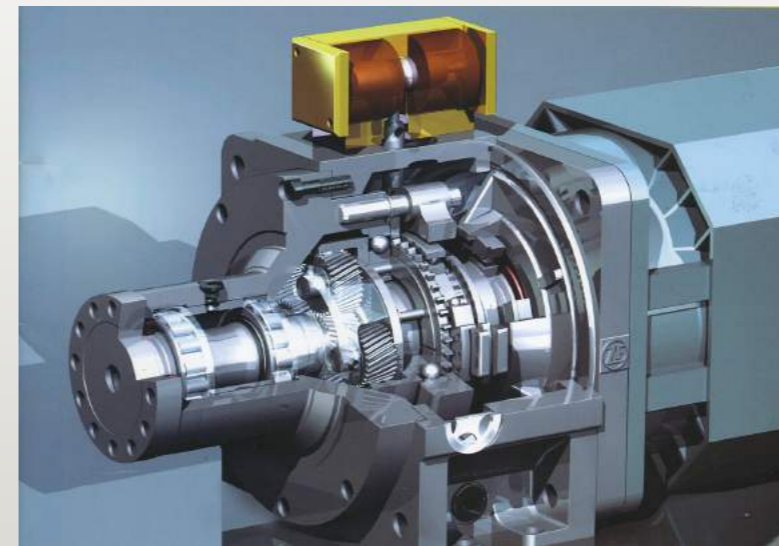
- Centralized air compressing system and lubricating system is easy for repair and maintenance.

Tool shelf and tool cabinet **OP**



- Operators can use the tool shelf attached on the side or back of the machine to store the tools temporarily.
- A tool box is placed under the tool shelf to store the material for machine maintenance.

ZF (German) Gearbox and Cooler **OP**



- A high horsepower motor with a ZF (German) Gearbox can provide high torque output at low speed, suitable for heavy cutting.
- The ZF gearbox is stable, smooth and low noise, even at high speed.
- The ZF gearbox is equipped with an oil cooler to remove the heat generated due to high speed operation of the gearbox, to ensure the transmission performance, and extend the service life of the gearbox.

DDR Motor **OP**



(4th axis, embedded rotating shaft)

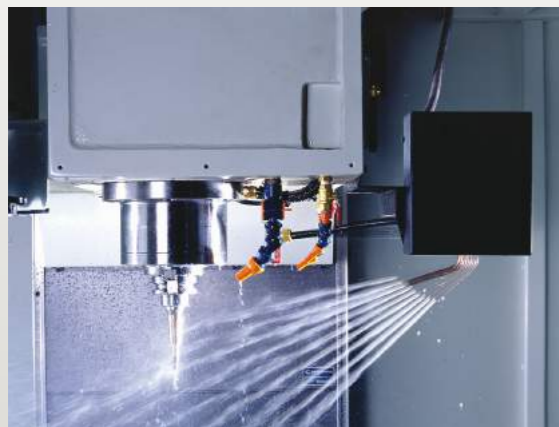
- The embedded rotating 4th axis has the features of high rotating speed, high precision, high maximum torque, high braking torque and zero backlash, suitable for precision parts machining with high performance.

Spindle external programmable air blowing system



- The programmable air blowing system outside the spindle device is used during dry cutting to reduce the chips on the workpiece surface, which may otherwise compromise the quality of the machining surface.
- It is possible to input specific commands into the programmable air blowing system outside the spindle to use the NC to control the air blowing.

Programmable coolant nozzle OP



- The programmable coolant nozzle can input a specific M code into the commands of the machining programs. The nozzles will adjust the angles automatically based on the length of the tools during machining.
- Simpler and more accurate control of the coolant cools the contact point between the tool tip and workpiece and removes the heat generated during machining effectively. The machining quality is improved.

Spindle Splash Ring OP



- 6 nozzles are installed around the spindle to provide the optimized cooling results for tools and workpieces and improving the machining quality.

Deep drilling stop block and oil-feed tool holder OP



- A deep drilling stop block and oil-feed tool chuck are suitable for the drilling of deep hole parts.
- The oil-feed tool chuck can be equipped with various types of coolant sprays to meet different cooling requirements.

Wash Down System OP

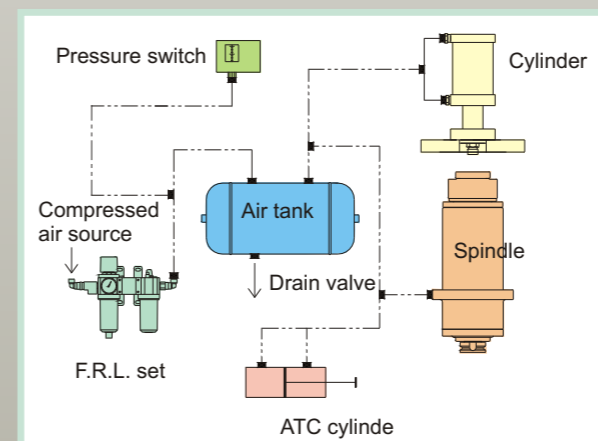


- The highly efficiently strong wash down system moves the chips to the screw-type chip auger, which is transported to the chip cart outside the machine, to maintain the tidiness of the working environment and the safety of the operators.

CE Specification OP

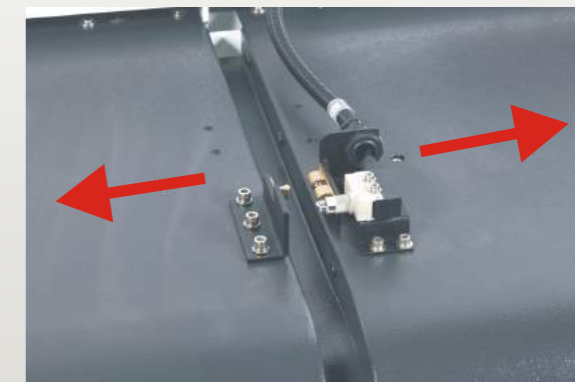


Air tank system



- To avoid several machines using the same compressed air source simultaneously, which will cause a sudden significant pressure drop or insufficient pressure of the air compressing system and result in abnormal machine operation.
- The gas tank is capable of water draining manually.

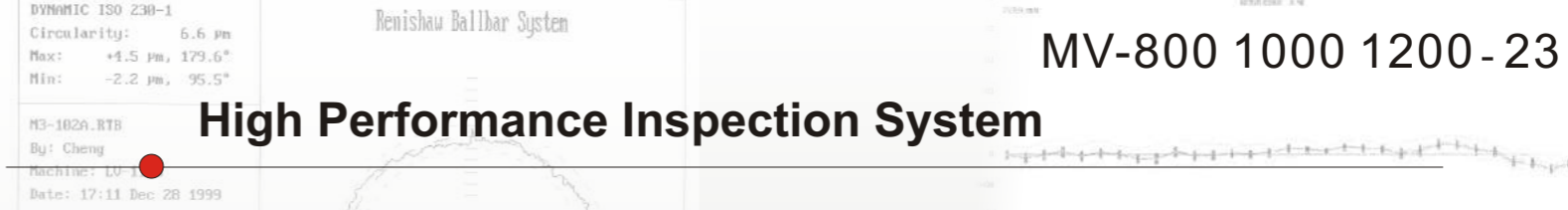
Standard Specification



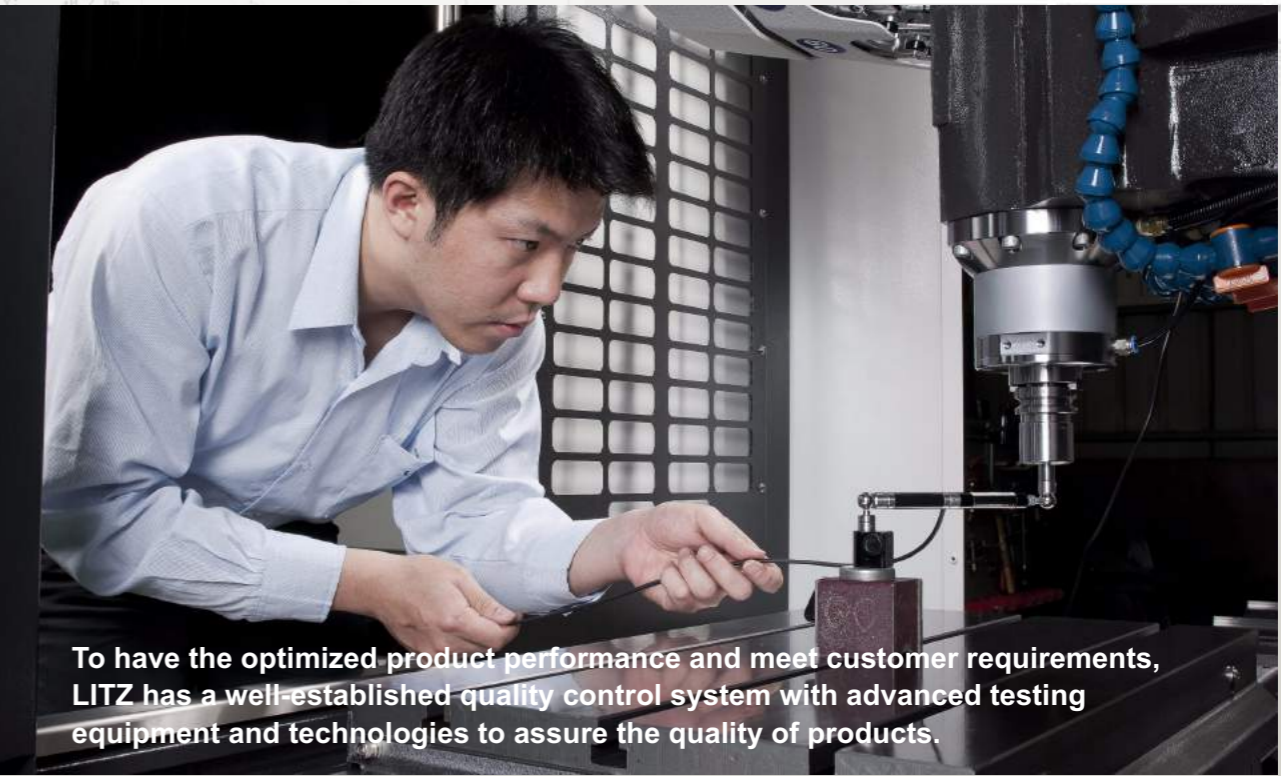
- When door is open, the machining programs will not start, ensuring the safety of the operators.
- For the safety of the operators, opening the door during machining will stop the program.

Filtering and Detecting of the lubricating system





Circular Test, Laser Inspection, Dynamic Spindle Balancing



To have the optimized product performance and meet customer requirements, LITZ has a well-established quality control system with advanced testing equipment and technologies to assure the quality of products.

Workpiece Measurement System OP

- The Renishaw workpiece measuring system is installed.
- New generation OMP 60 optical probing system.
- The OMP 60 provides simple measurement, which can reduce the time for setting up the machine by up to 90%, reduce the reject rate, and fixture costs and improve the process control.
- The OMP 60 uses microelectronics and components, thus providing a compact structure.
- Optionally, the probe can be equipped with an OMI-2 interface receiver. The system uses state-of-the-art modulated optical transmission with excellent light interference resistance capability.
- The probe is equipped with a 360° infrared optical transmission system. The transmission distance is up to 6m and the probe can perform measurement from any direction.



Tool Length Measurement OP



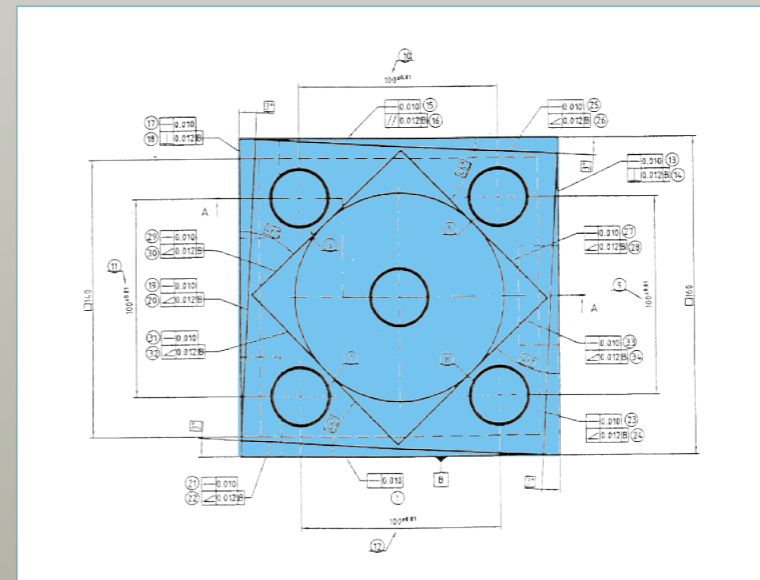
- The automatic tool measuring system will measure the tool length and input the result into the controller automatically for compensation.
- Automatic tool measuring is controlled by macros, which can perform the measurement automatically and are easy to operate.

4th Axis (Rotating Worktable) OP



- With the 4th axis rotating worktable, it is possible to perform multi-surface machining simultaneously which can reduce the non-production time of loading/unloading workpieces.
- A worm gear and worm transmission are used for precise positioning. High precision can be maintained even during a long time of operation.
- High precision bearings are used for spindle rotating, ensuring the stability of the rotation center.
- The smallest division precision, which is frequently used in spiral cuttings and precision-required aerospace industry.

Standard Specimen Test



- In addition to the tests and inspections performed with precision instruments, each machine is subject to dynamic cutting tests in accordance with international standards.



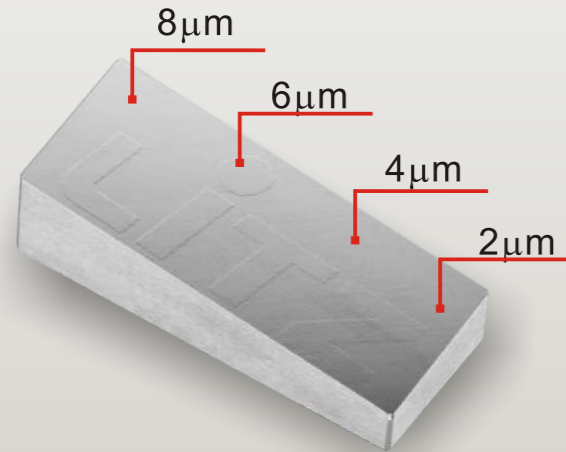
- Upon the completion of cutting, the standard specimen shall be inspected with a 3D coordinate measuring machine (CMM) to ensure the required precision.

Machining Performance

Oil Mist Removal

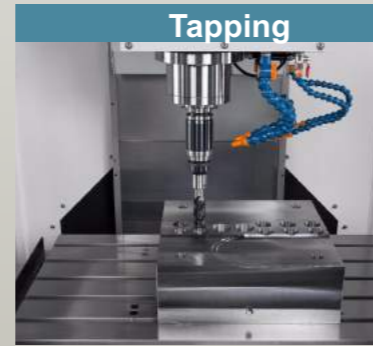
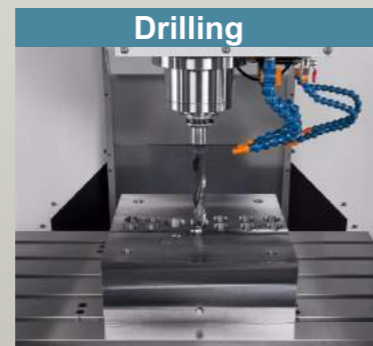
Machining Accuracy

μ level Accuracy Experience
 -Highly accurate parts and molds machining solution
Machining Accuracy
 (the height of letters)



Machining example: embossed letter machining
 Machine used: MV-1200A
 Material: NAK80
 Dimension: 90x40x30mm
 Machining duration :1 h 52 min
 Tools: rough machining: R2 CBD ball end mill
 finish machining: R1 CBD ball end mill
 Cutting specifications : Rough machining : 8000rpm
 Feed rate: 1600mm/min
 Fine machining: 8000rpm
 Feed rate: 1600mm/min

Cutting Performance



	Face Mil Ø80mm		Drill Ø36 mm		Tap M24xP3.0	
	Spindle Speed	Feed Rate	Spindle Speed	Feed Rate	Spindle Speed	Feed Rate
MV-800	120 ml/min		35 ml/min		M24xP3.0	
	1000 min ⁻¹	1000 mm/min	230 min ⁻¹	35mm/min	100 min ⁻¹	300 mm/min
	Face Mil Ø80mm		Drill Ø40 mm		Tap M24 xP3.0	
	Spindle Speed	Feed Rate	Spindle Speed	Feed Rate	Spindle Speed	Feed Rate
MV-1000	135ml/min		25ml/min		M24 xP3.0	
	900 min	900 mm/min	160 min ⁻¹	20mm/min	100 min ⁻¹	300 mm/min
	Face Mil Ø80mm		Drill Ø40 mm		Tap M27xP3.0	
	Spindle Speed	Feed Rate	Spindle Speed	Feed Rate	Spindle Speed	Feed Rate
MV-1200	320ml/min		50ml/min		M27xP3.0	
	1000 min ⁻¹	1140 mm/min	207 min ⁻¹	40mm/min	100 min ⁻¹	300 mm/min

Remove the oil mist of the coolant from the machine to keep a clean and healthy working environment, increase working performance and achieve energy saving and environmental protection.

Oil Mist Collector **OP**

Advantages of the Oil Mist Collector



- **Extend machine life-** oil mist spreads quickly and widely. Reducing the damage of mechanical parts and components inside the electrical and control cabinet caused by oil contamination.
- **Reduce the hazards to health-** any form of oil mist, smoke, or pollution may be harmful to the lungs, throat, and skin and can be a risk to health.
- **Reduce accidents-** Spread oil mist may cause slippery floors and result in danger and accidents.
- **Reduce fire risks-** The accumulation of oil mist may cause a fire or make the fire more serious.
- **Save production costs-** Oil mist can be collected and recycled back to the machine for reusing.
- **Reduce the requirements for compensation-** In case the air is polluted, employees would request an increase in their salary as compensation.
- **Increase the employee morale-** improving the polluted environment will increase the enthusiasm and passion of the operators.

Safe metal skid packing and smallest footprint



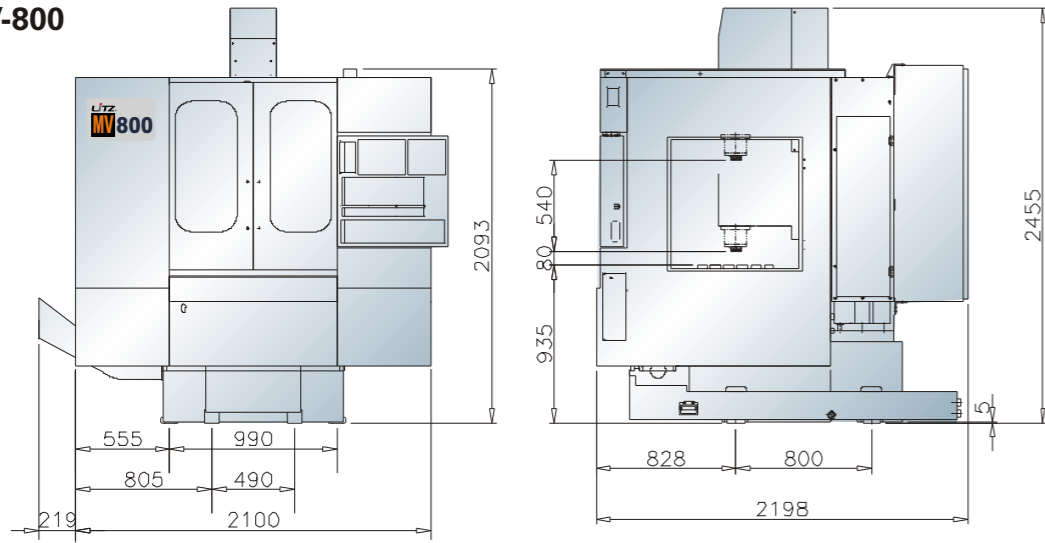
- Simple and compact design of the machine saves the space required, maximizing the utilization of limited space.
- Small footprint of the machine.
- The machine can be fitted into a 20 ft high cubicle container. Each container can accommodate 2 machines, saving the cost for packing and shipping.
- The machine is shipped with an iron pallet, easy and safe.
- The forklift can be applied from 4 directions to the iron pallet, easy for handling. All the accessories are mounted and fixed, ensuring the handling quality.

Outline Dimensions

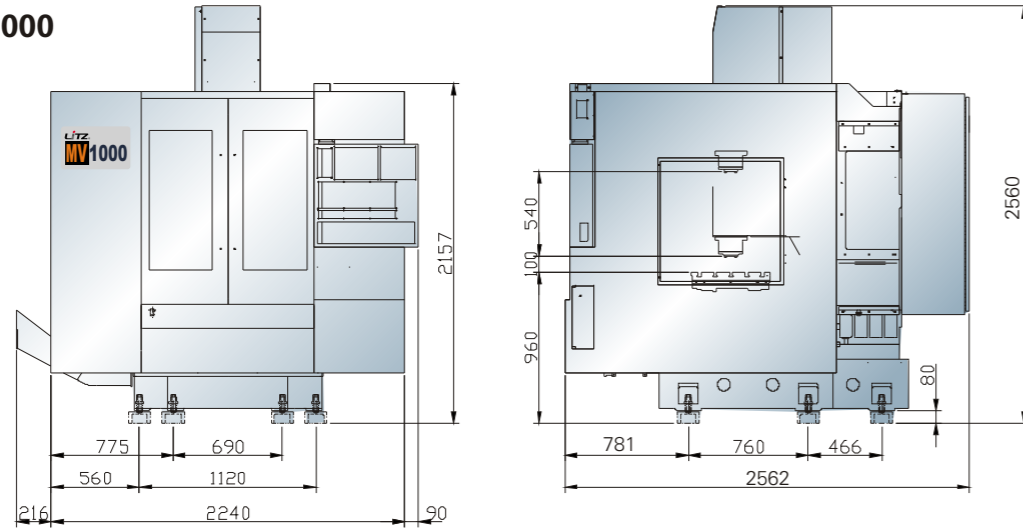
MV-800 1000 1200-26

單位：mm

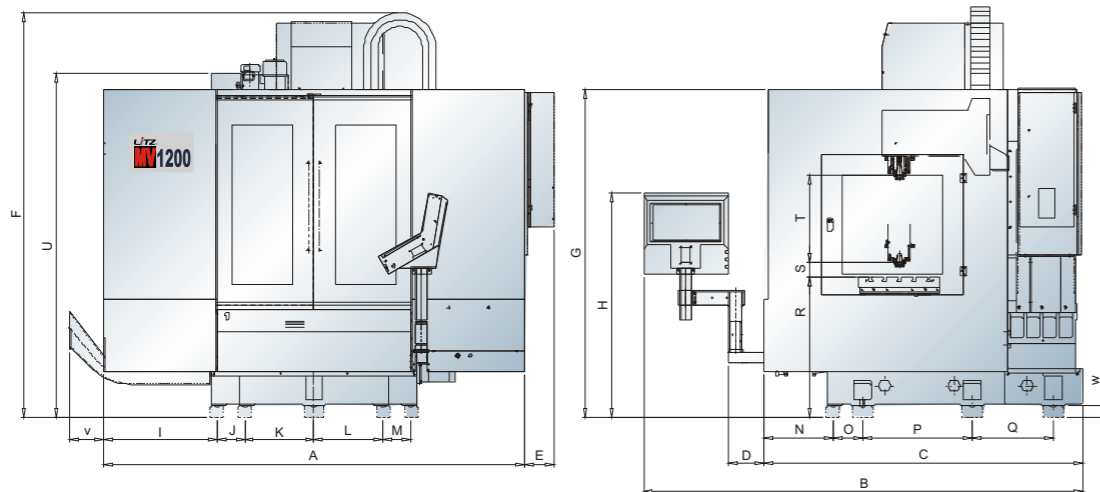
MV-800



MV-1000



MV-1200



	A	B	C	D	E	F	G	H	I	J	K	L	M	N	O	P	Q	R	S	T	U	V	W
MV-1200A	2880	3010	2184	246	204	2774	2247	1535	775	190	475	475	190	474	200	751	555	960	100	600	2353	231	80
MV-1200B	2880	3010	2184	246	204	2877	2247	1535	775	190	475	475	190	474	200	751	555	960	60	635	2800	231	80

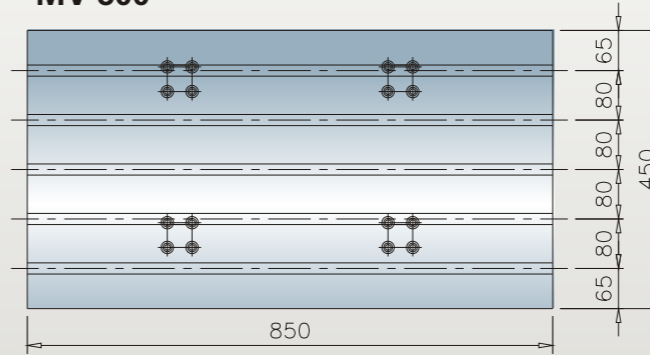
Worktable Dimensions

MV-800 1000 1200-27

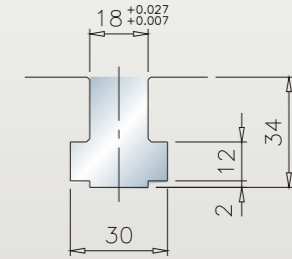
單位：mm

Worktable Dimensions

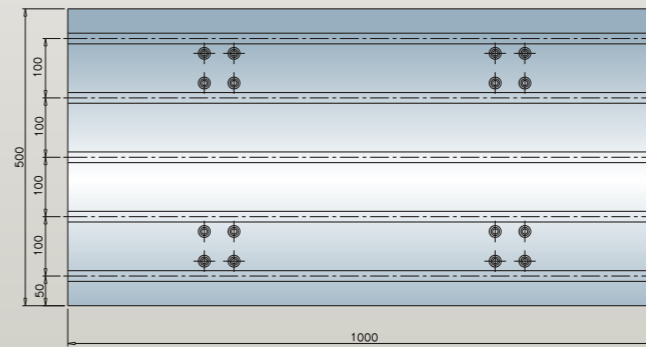
MV-800



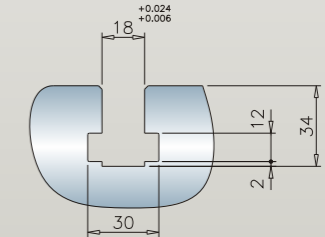
MV-800 T-slot dimensions



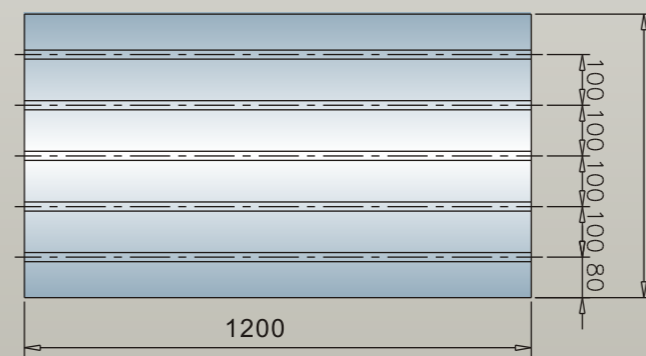
MV-1000



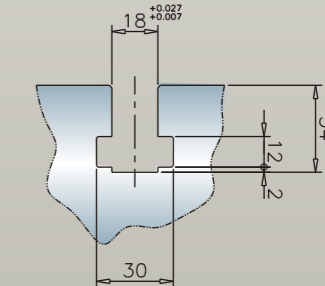
MV-1000 T-slot dimensions



MV-1200

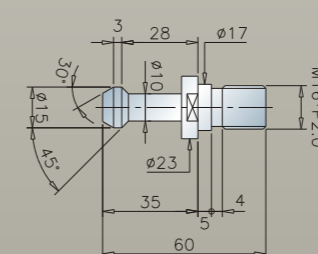
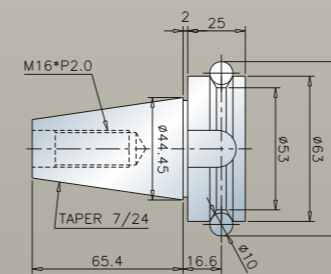


MV-1200 T-slot dimensions

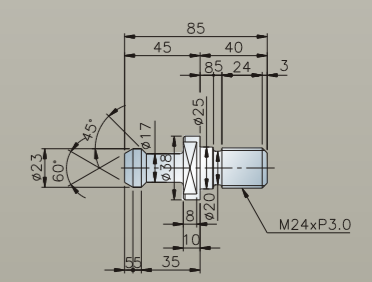
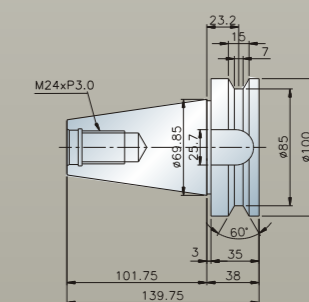


Tool Shank and Pull Stud

BT-40



BT-50



Machine Specifications

Model		MV-800	MV-1000	MV-1200A	MV-1200B
Travels for 3-axes					
X-axis Travel	mm	800	1000	1200	1200
Y-axis Travel	mm	450	500	560	560
Z-axis Travel	mm	540	540	600	635
Spindle nose to worktable surface	mm	80-620	100-640	100~700	60~695
Spindle					
Spindle Speed	rpm	10000	8000	8000	6000
Automatic Tool Changing System					
Number of Tools	pcs	24	24	24	24
Max. tool diameter	mm	80/125	80/125	80/125	125/225
Max. tool length	mm	270	300	300	350
Max. tool weight	kg	8	8	8	15
Tool changing method		ARM	ARM	ARM	ARM
Tool specification		BT-40	BT-40	BT-40	BT-50
Motor					
Spindle motor <small>(continuous/30min. rated)</small>	kw(HP)	5.5/7.5(7.5/10)	7.5/11(11/15)	7.5/11(10/15)	11/15(15/20)
Motors on X/Y/Z-axis	kw	1.5/1.5/2.0	2.0/2.0/3.5	2.0/2.0/3.5	2.0/2.0/3.5
Worktable					
Worktable area	mm	850x450	1000x500	1200x560	1200x560
Worktable max. load capacity	kg	350	500	750	750
T-slot <small>(No. x Width x Distance from the center)</small>	mm	5x18x80	5x18x100	5x18x100	5x18x100
Rapid Speed					
X-axis rapid speed	M/min	36	36	36	36
Y-axis rapid speed	M/min	36	36	36	36
Z-axis rapid speed	M/min	24	24	24	24
Cutting feed rate	mm/min	1-20000	1-20000	1-20000	1-20000
Controller					
Mitsubishi		M80	M80	M80	M80
Miscellaneous					
Machine Weight	kg	4500	5800	8000	8500
Power Consumption	KVA	15	20	25	25
Coolant Tank Capacity	L	200	240	290	290
Compressed air source	kg/cm2	6	6	6	6

■ All the photos contained herein are for reference only. In case of any discrepancy with the actual machine parts, the actual machine shall prevail.

■ LITZ reserves the right to modify the product specifications, appearance, equipment or discontinue the products.

Equipment List

● Standard ○ Options ☆ Upon request

	MV-800	MV-1000	MV-1200A	MV-1200B
Spindle				
Spindle speed: 6000 RPM	—	—	—	●
Spindle speed: 8000 RPM	—	●	●	○
Spindle speed: 10,000 RPM	●	○	○	○
Spindle speed: 12,000 RPM	○	○	○	—
Spindle oil cooling system	○	○	○	○
Coolant through the spindle system (CTS)	○	○	○	○
Spindle dust-proof air-sealing system	●	●	●	●
Spindle head coolant cooling system	—	—	●	●
ZF gearbox + cooling system	—	○	○	○
Cooling System				
Spindle external programmable air blow system	●	●	●	●
Stop block for oil feed tool holder	○	○	○	○
Programmable coolant nozzle	☆	☆	☆	☆
Splash ring (arm type only)	☆	☆	☆	☆
Coolant cooling system	○	○	○	○
Chip Removal System				
Chip auger inside the machine	●	●	●	●
Chip conveyor	○	○	○	○
Chip cart	●	●	●	●
Coolant gun for machine cleaning	●	●	●	●
Air gun for machine cleaning	●	●	●	●
Wash down device	○	○	○	○
Hood for the top of the machine	○	○	—	—
Fully-covered sheet metal	●	●	●	●
Measurement System				
Infrared tool breakage detection	○	○	○	○
Tool length measurement system	○	○	○	○
Workpiece measurement system	○	○	○	○
CCD measurement system	☆	☆	☆	☆
Production and Workshop				
Production management and network service	○	○	○	○
Human-Machine Interface - intelligent machine	○	○	○	○
Oil mist Collector	○	○	○	○

	MV-800	MV-1000	MV-1200A	MV-1200B
Oil/coolant separator				
Disc type oil/coolant separator	○	○	○	○
Machine oil/coolant separation system	●	●	●	●
ATC System				
Automatic Tool Changer Mechanism (ATC)	●	●	●	●
BT-40 tool specification	●	●	●	—
BT-50 tool specification	—	—	—	●
Arm type tool magazine 24T	●	●	●	●
Arm type tool magazine 32T	—	○	○	—
Arm type tool magazine 40T	—	☆	☆	—
3-Axes Transmission System				
3-axes coolant thru ballscrew (CTB)	—	☆	☆	☆
3-axes linear roller guideway	○	○	○	○
3-axes linear scale	○	○	○	○
Z-axis brake motor system	●	●	●	●
Controller				
Mitsubishi M80	●	●	●	●
FANUC 0iMF	○	○	○	○
Siemens 828D	○	○	○	○
Electrical Parts				
Work light	●	●	●	●
Alarm indicator	●	●	●	●
M30 automatic power off system	●	●	●	●
Heater exchanger for electrical cabinet	●	●	●	●
Air-conditioner for electrical cabinet	○	○	○	○
Miscellaneous				
4th Axis (rotating table)	○	○	○	○
Tooling				
DDR embedded motor (Mitsubishi system only)	☆	☆	☆	☆

Total Production Solution

Highly efficient manufacturing fashion, equipped with high performance control system. The high speed contouring capability can achieve best possible surface quality under most demanding machining cycle time. Highly dynamic five axes machining provides solution for complex tasks.



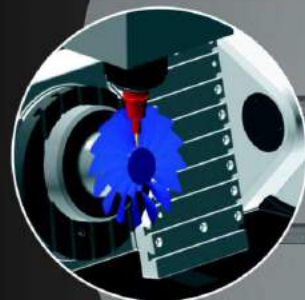
Heidenhain & Siemens Control System

iTNC530 / 840D

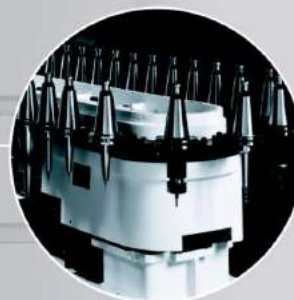
Ideal for high-end application CNC system. Modular, open, flexible operating interfaces are the highlight of the controller. Programming and visual structure can be integrated with network systems.



Litz Hitech & Open Mind, the CAM company
The strategic alliances



The monitoring & collision test within work range

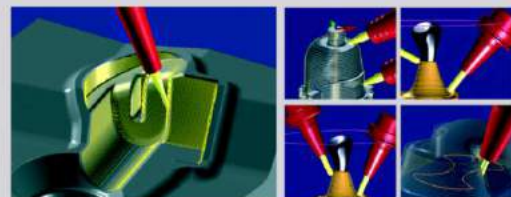


MST Tools (Japan)



Litz Hitech LU Series

5 Axes Series employs U shape base with dual-support A/C axes rotary worktable's high rigidity mechanism. The machine is equipped with 12000RPM direct-drive high speed spindle. High durable roller type linear guideways, 3 axes high precision linear scales along with other high quality components brings out the excellences of the 5 axes simultaneous control. Mill, drill, tap, spiral, irregular and other complex machining can be easily achieved.



Technical Support Global Presence



SALES & DISTRIBUTION NETWORK



www.litzhitech.com