

CUTTING
WELDING

SINCE 1898



ZINSER 1225/1226

Flexible cutting systems for oxy-fuel and plasma cutting



**Made in
Germany**
Since 1898

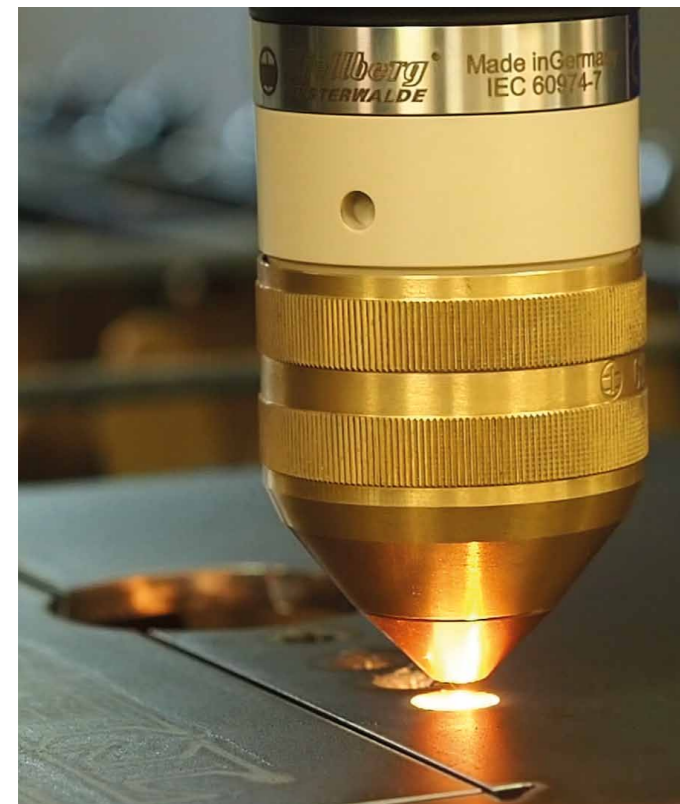
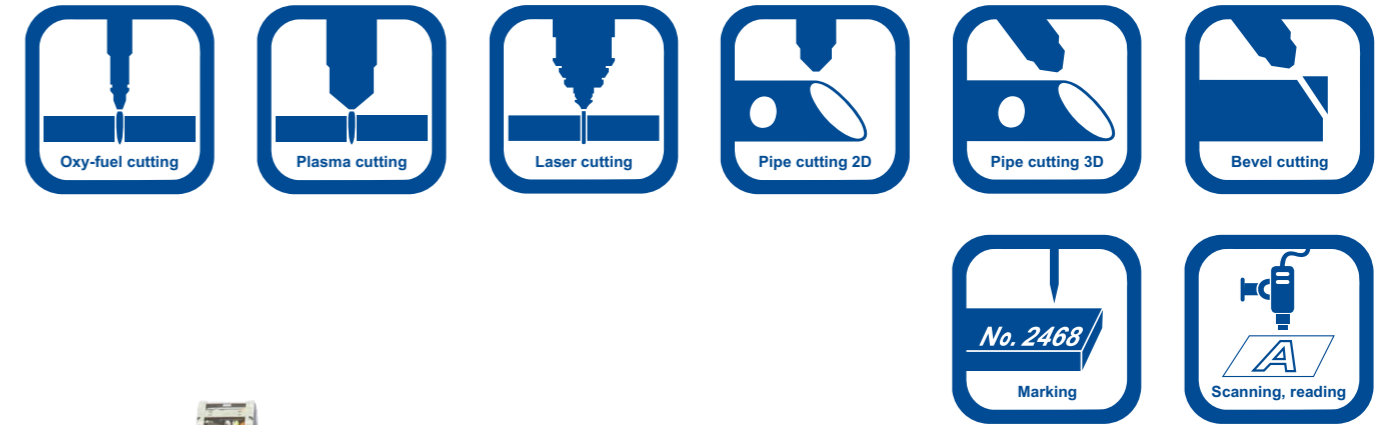
ZINSER

The flexible cutting system for oxy-fuel and plasma cutting

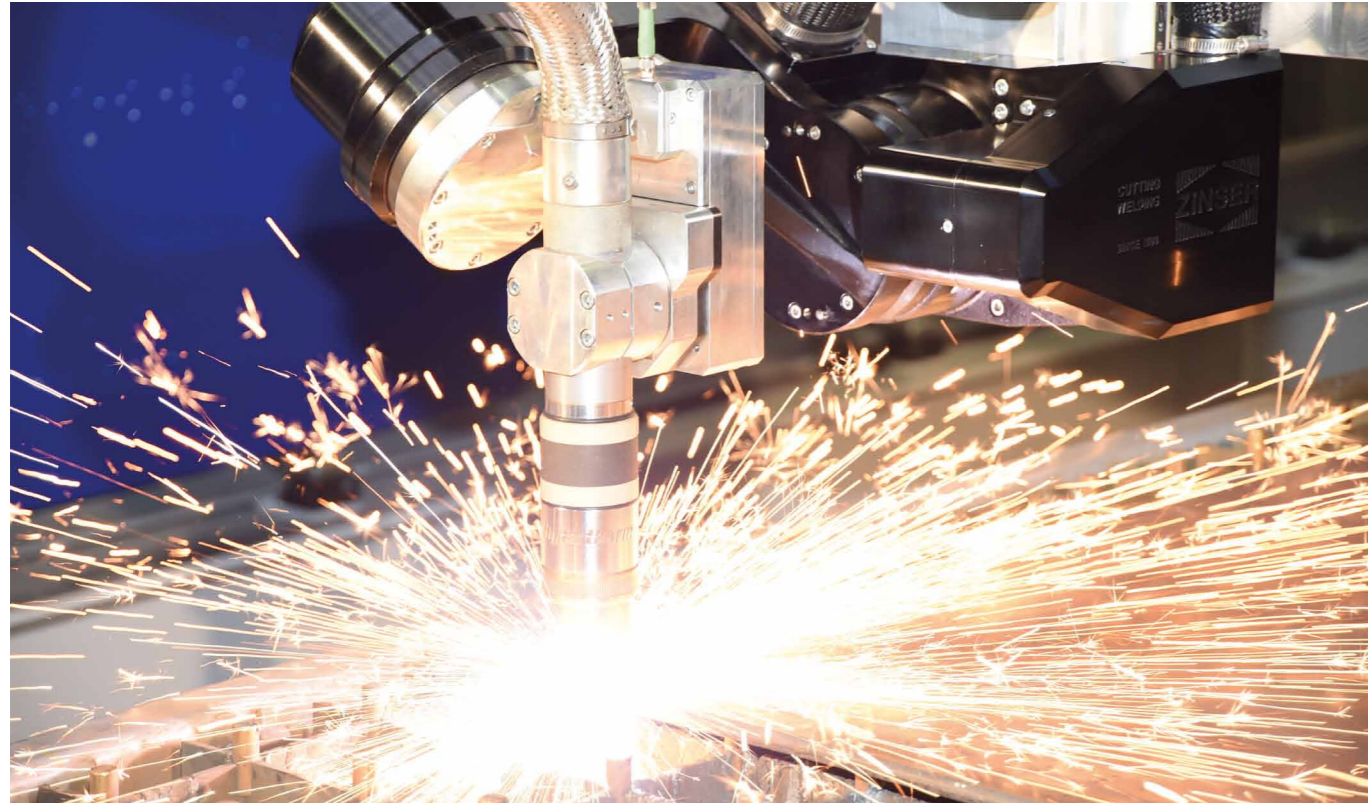
Its high-performance AC servomotors and planetary gears in combination with linear guides make the ZINSER 1225 the perfect machine for high precision plasma and oxy-fuel cutting. The ZINSER 1225 combines the high speed and guiding accuracy needed for plasma cutting with the robustness of an oxy-fuel flame cutting machine.

Equipped with oxy-fuel and plasma torches the ZINSER 1225 covers a wide range of day-to-day cutting tasks. That means a high flexibility in handling your flame cutting tasks.

The ZINSER 1225 can also be used as guiding machine for fiber laser cutting.



Machine characteristics



Gantry bridge

- Gantry manufactured according to the most modern production processes
- Double-sided linear guides for torch / tool carriers

Track/Y-drive

- Double-sided AC servodrive 3 x 400V
- Perfect running smoothness by linear guides on both sides
- High angle accuracy by the use of selected helical geared drive racks and precise planetary gears
- Hardened drive pinions

Drive carriage / X-drive

- AC servodrive via rack and pinion 3 x 400 V
- Slave carriages are clamped on CrNi steel wire

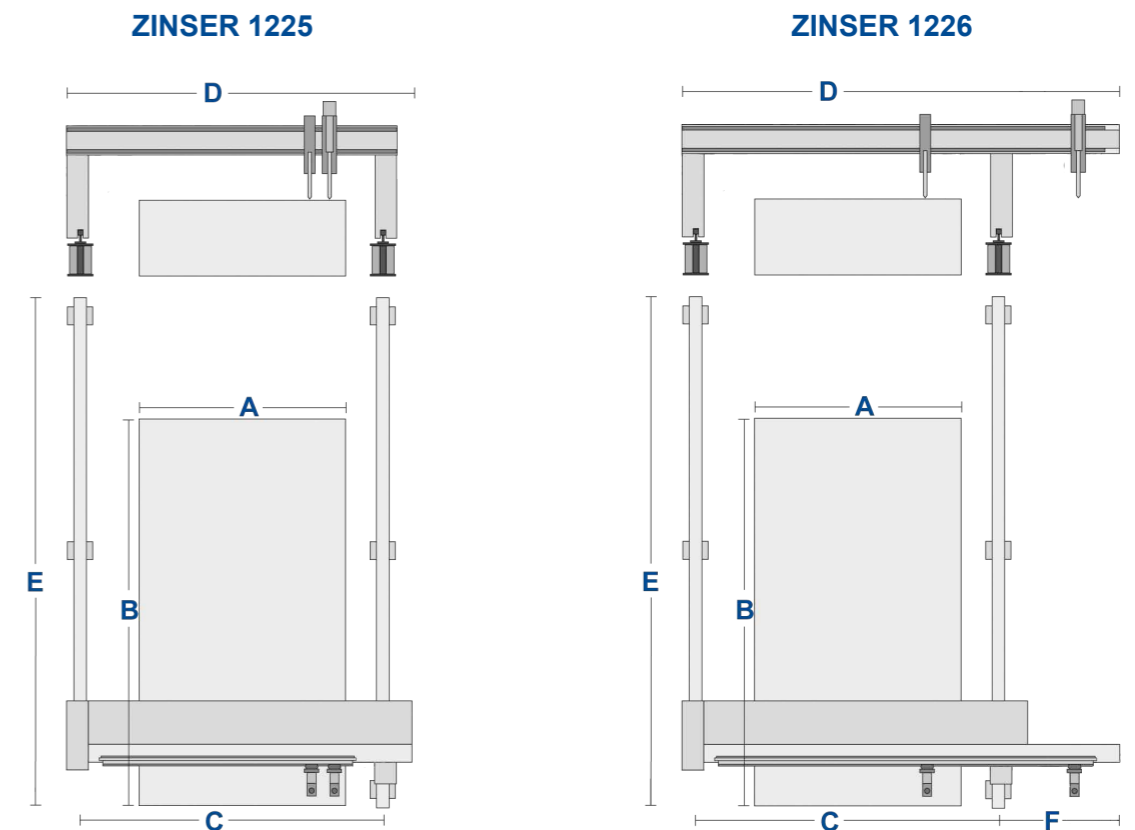
Others/options

- Up to two oxy-fuel tools
- Marking unit
- SPS-controlled dust absorption tables
- Cartridge filter systems with pneumatic cleaning
- Software ZINSER MCC for nesting plans, external programming, remnant management etc.
- Network link
- Adaptation to customer's requirements possible anytime

Technical data

	ZINSER 1225	ZINSER 1226
Track width (C):	1000 1500 2000 2500 3000 mm *	
Working width (A) with 1 torch: = (C) - 300 mm	700 1200 1700 2200 2700 mm	
Working width (A) with 2 torches: = (C) - 500 mm	500 1000 1500 2000 2500 mm	
Machine width (D)	= (C) + 315 mm + power track	= (C) + 315 mm + power track + cantilever
Machine length (E)	= (B) + ~ 1000 mm	
Max. number of torch carriers	2	
Longitudinal drive	double-sided AC servodrive	
Cross drive	AC servo drive	
Input voltage	3 x 400 V AC / 50 Hz	
Cantilever (F)		1000 mm

* other sizes on request



Upgrade components

Oxy-fuel:

- Piercing unit with fast pre-heating via proportional valves including central gas control
- Electrical ignition unit
- Automatic torch height control
- Single torch addressing
- Automatic torch positioning during multiple torch operation



Plasma:

- CNC controlled data communication to plasma power source with automatic gas console; thus cutting data are sent directly from the CNC controller to the plasma system (database)
- Arc voltage height control with data connection and automatic communication

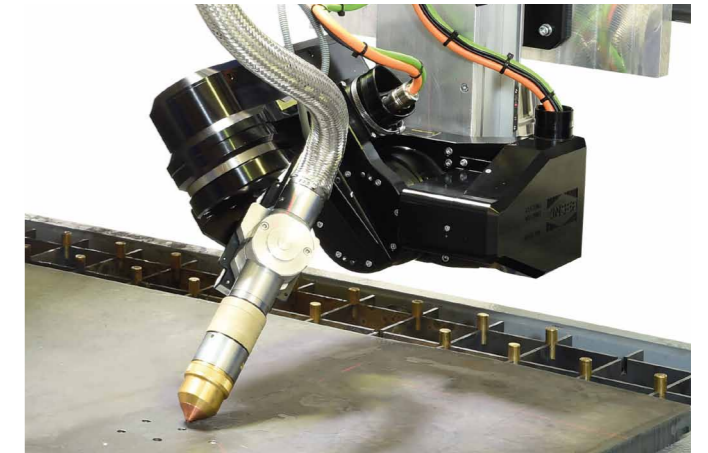


Further options

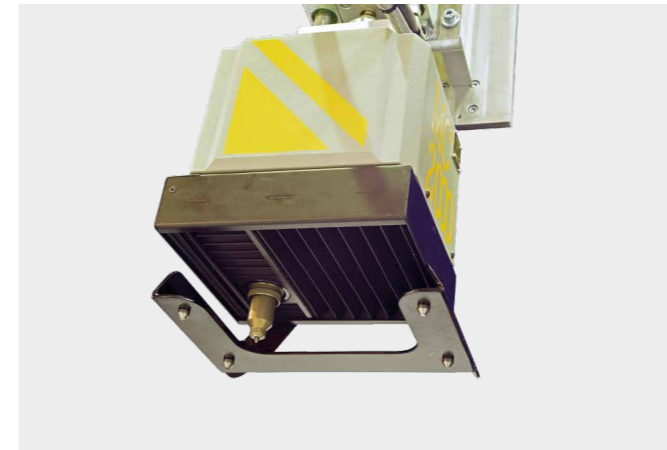
Additional cantilever for pipe cutting



Plasma bevel unit



Needle marking



Inkjet



Drilling unit



Laser diode for set up of programme starting point, optional with camera system



CUTTING
WELDING

SINCE 1898



ZINSER GmbH

Daimlerstr. 4
73095 Albershausen
Germany

Phone +49 7161 5050-0
Fax +49 7161 5050-100
info@zinser.de

zinser.de

