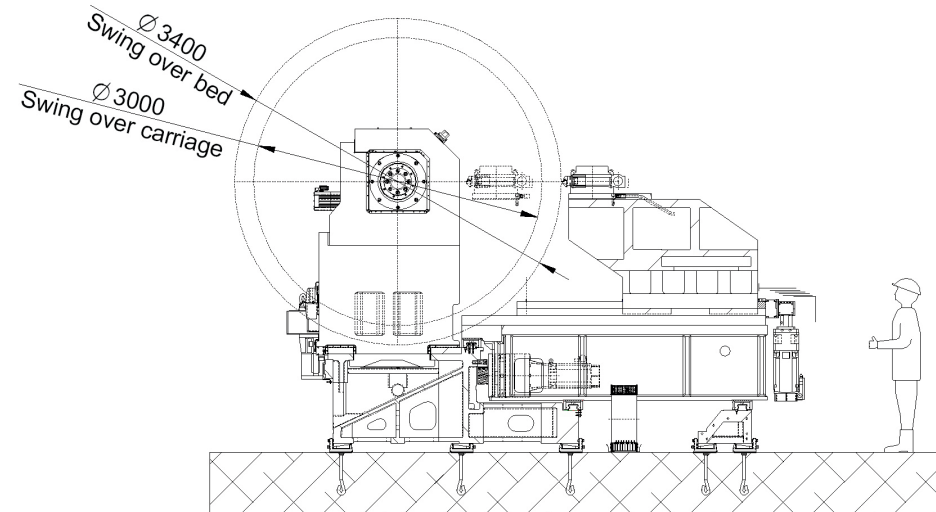
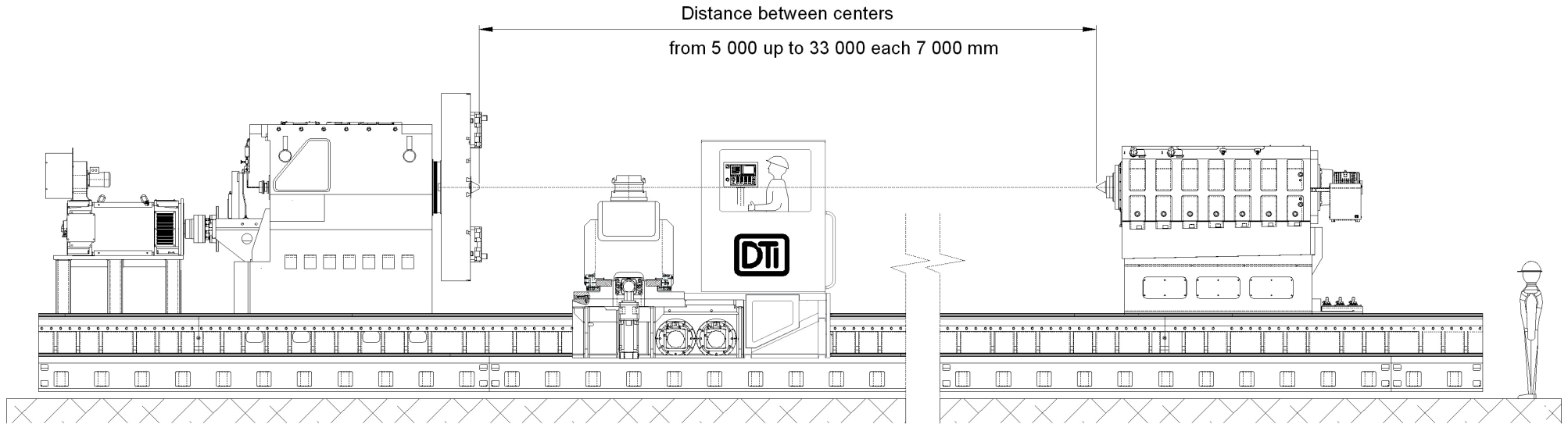


# - TMC -



Distance between centers  
from 5 000 up to 33 000 each 7 000 mm



Technical Parameters	TMC 200	TMC 250	TMC 300
Max. swing over bed		$\varnothing 3400\text{mm}$	
Max. turning diameter	$\varnothing 2000\text{mm}$	$\varnothing 2500\text{mm}$	$\varnothing 3000\text{mm}$
Distance between centers	5 000 to 33 000 each 7 000 mm		
Power	up to 300 kW		
Spindle speed	up to 120 RPM		
Max. weight of work piece	150 tons		