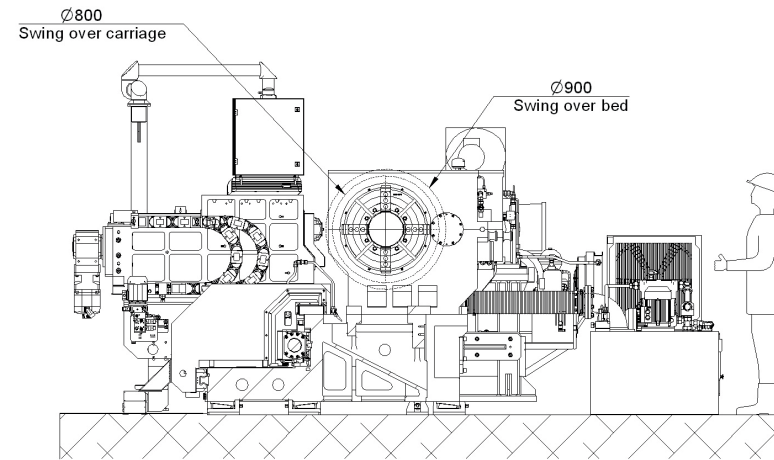
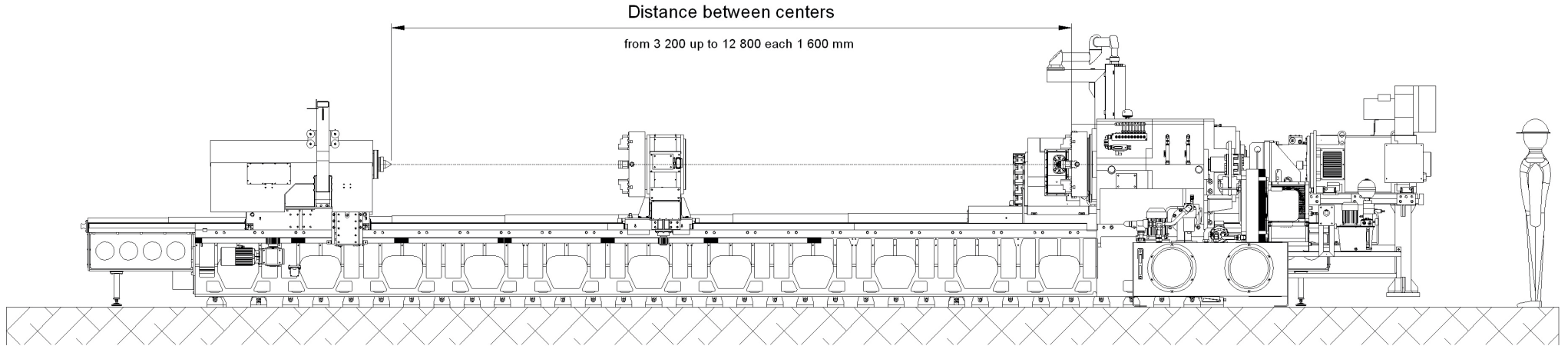


# - TMC -



Technical Parameters	TMC 30	TMC 50	TMC 80
Max. swing over bed		Ø900mm	
Max. turning diameter	Ø300mm	Ø500mm	Ø800mm
Distance between centers	3 200 to 12 800 each 1 600 mm		
Power	up to 150 kW		
Spindle speed	up to 250 RPM		
Max. weight of work piece	12 tons		